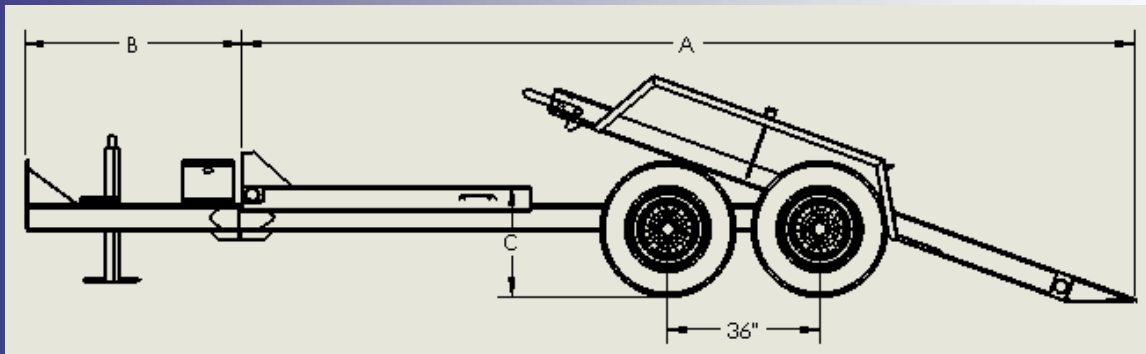




# T Series



Standard Features	Description
Length (A)	18 feet
Exterior Width	102 inches
Width between fenders	77 inches
Gooseneck (B)	8 feet
Pole (B)	52 inches
Slant	20 degrees
Cushion	Cylindres Ø 2" X 12"
Flooring	Spruce Lumber 1- 5/8" thick
Wiring	Sealed Harness
Lighting	LED
Finish	Epoxy Primer, Urethane Finish

Axles	Tires	LR	Rims	Height (C)	G.V.W.R.
Torflex 7000 lb	235/85R16	E	16" X 6"	25 inches	12000 lb
Torflex 7000 lb	235/85R16	G	16" X 6"	25 inches	14000 lb